

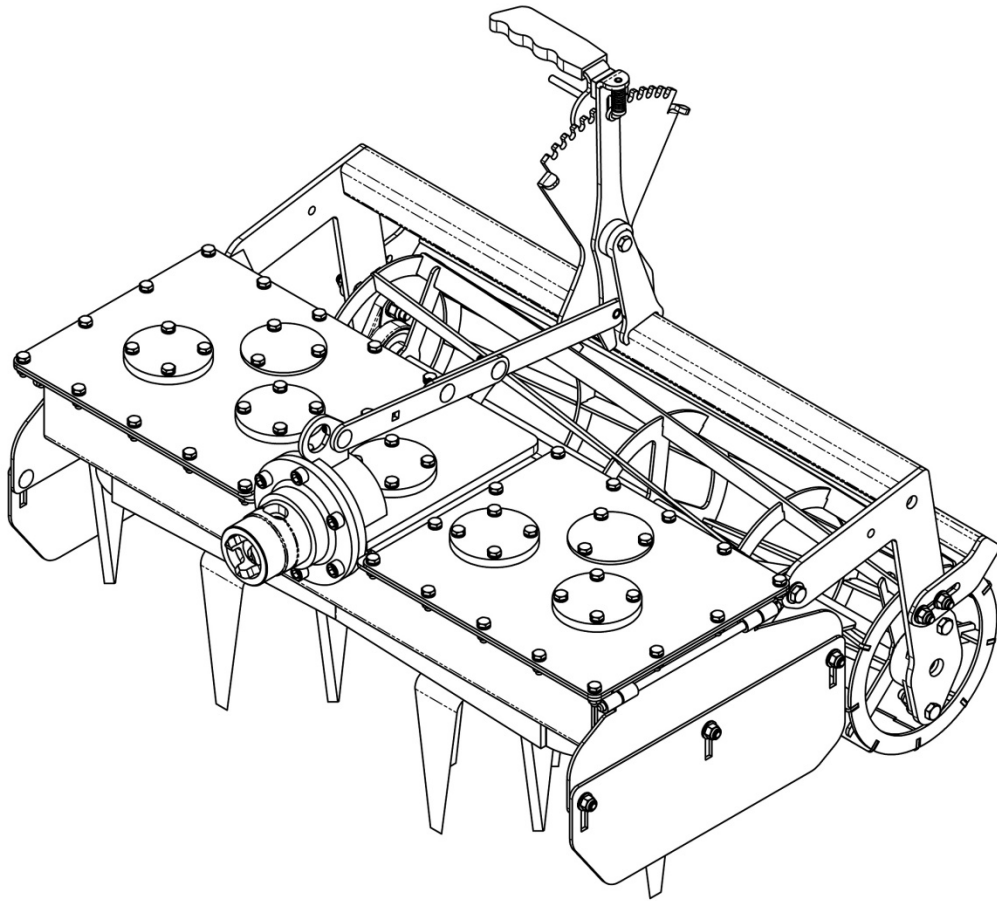


WWW.THIVIERGE.CA

English

Operation and Maintenance Guide

HG-28 Rotary Power Harrow



Made in Canada

Warranty

Thivierge's warranty covers its product for one (1) year from the equipment date of delivery.

The day of the delivery, check if transport has damaged the equipment or its parts, and if all parts are included. Any complaints must be received at our office in Drummondville, Québec, within eight (8) days of the equipment delivery.

Thivierge's warranty covers the replacement of defective parts and the labour required for their replacement. Such replacement is completed in Thivierge workshops, and the equipment transportation will be done at the customer's expense.

The warranty is void in the following cases:

- The equipment or its parts have been repaired without Thivierge's authorization.
- Replacement parts used in the repair or maintenance did not come from the manufacturer.
- The equipment was modified.
- The instructions in this manual have not been observed.
- Maintenance was not completed according to the schedule and methods presented in this manual.

Warnings and Safety Instructions




Failure to comply with these safety instructions could lead to death, injury or material damage.

- Read this guide and your two-wheel tractor's manual before using the equipment. This guide is an integral part of the equipment and must always accompany it, even if the equipment is sold to a third party.
- Check that both safety stickers are present, visible and well glued.
- Keep a safe distance from the equipment. Stay away from all moving parts. Do not stand in front of the equipment. Do not climb on the equipment or rollers. Do not carry any people, animals or objects on the equipment.
- Keep and animals people, which could be harmed, away from the equipment, during its operation, maintenance or handling, and be aware of the risks to others.
- Be careful when operating on uneven, steep or unstable ground.
- Always monitor the equipment when in use.
- Make sure workers who use, store, or maintain the equipment have the skills to perform the task to be performed, and know how to correctly use the equipment, as well as the risks associated with its use.

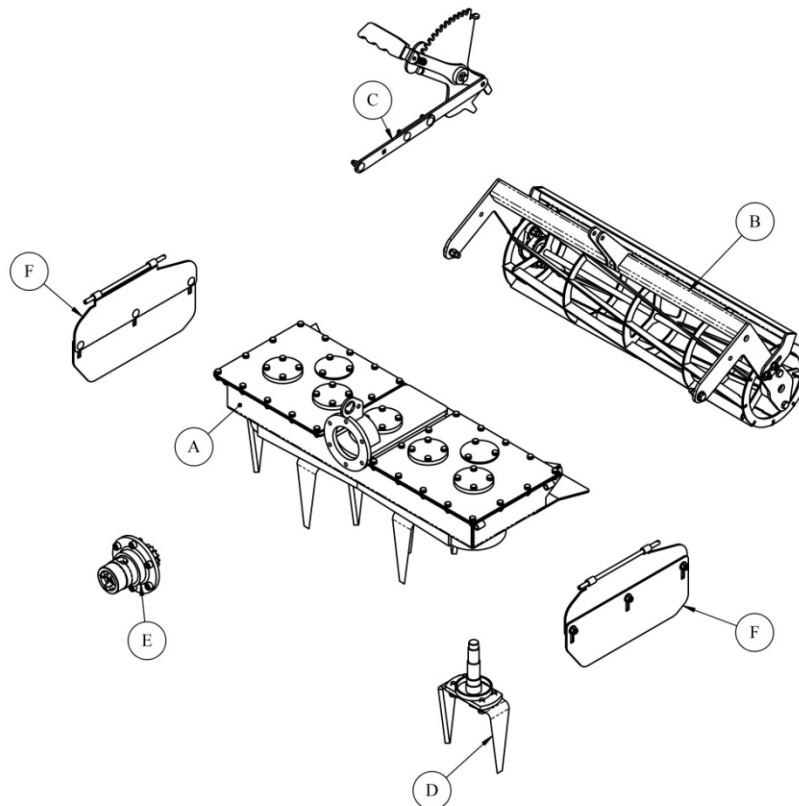
- Beware of foreign objects that might become lodged in the equipment during its use. Remove them from the field before tillage.
- Use the manufacturer's spare parts to repair and maintain the equipment.
- Before making any adjustment, repair, unblocking or cleaning, turn off the two-wheel tractor, remove the key from ignition, uncouple the equipment and read the guide. Make sure the equipment stays uncoupled during these operations.
- Use the appropriate protective equipment: safety boots and glasses, and dust mask if necessary. Wear fitted clothing without loose fabric that might get caught in the equipment.
- Make sure that all of the equipment protection mechanisms are intact before use.
- Immediately replace any worn or damaged parts.
- Before use, check tightening of bolts and nuts.
- Make sure that whoever uses, stores, or maintains this equipment complies with any and all laws, safety codes and regulations in force.
- This equipment should not be used on roads.

Equipment

The Human Gardener 28 Rotary Power Harrow – combined with the BCS tractor – is **exclusively** designed to prepare agricultural fields and gardens. It levels, harrows and compresses the soil in a single operation.

 All other applications are considered hazardous, forbidden and are undertaken at your own risk.

- A. Equipment frame
- B. Roller unit
- C. Adjustment “Josephine” lever
- D. Steerage hoes
- E. Coupling to the tractor
- F. Protectors



Technical Specifications

Harrowing width (A)	28 in (711.2 mm)
Compaction width (B)	27 3/4 in (704.85 mm)
Harrowing depth (C)	5 in (127 mm)
Maximum height from the ground in transport position (D)	1 1/2 in (38.1 mm)
Power of two-wheel tractor	8 to 13 HP (6 to 9.7 kW)
Number of steorage hoes	5
Weight	171 lb (77.5 kg)
Oil/quantity	80W90, 3 litres

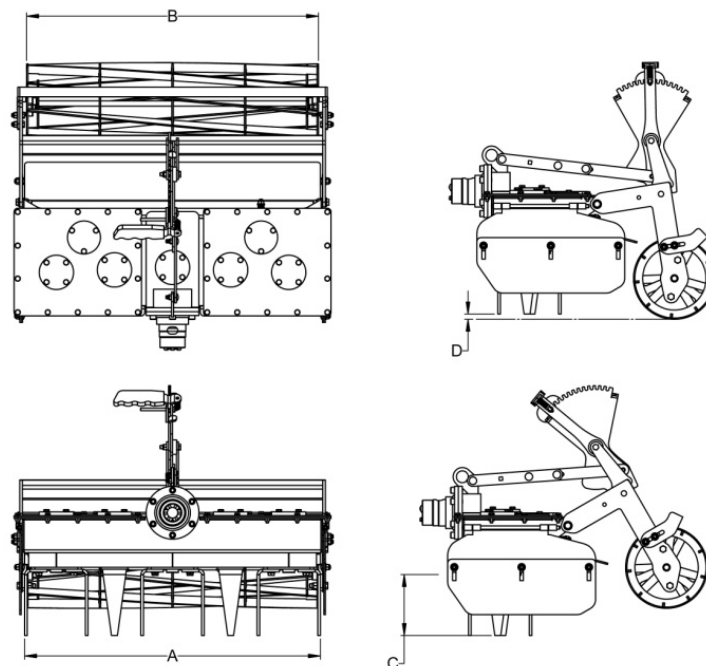


Figure 2.

Equipment Handling



Use a lifting device in good condition with the appropriate capacity to move the equipment.

- Beware of the equipment inclination when lifting.
- Wear safety shoes or boots.

The equipment has some anchor points by which it can be attached, as the one shown in Figure 3.

Note that we recommend a frequent greasing of the PTO connection.

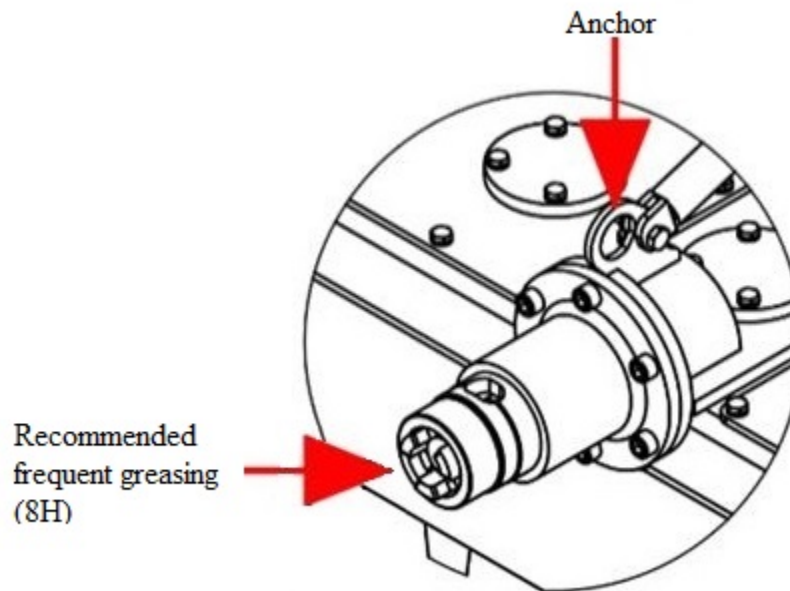


Figure 3.

Equipment Operation



Comply with the previous safety instructions.

1. Adjust the soil working depth from 0 to 12.7 cm (5 in) using the adjustment lever. It is important that the equipment rests on its rollers during operation. Adjust the setting according to the field and the depth of potential debris.
2. Stand behind (in the center or slightly to one side) the two-wheel tractor.
3. Move the equipment with the tractor, adjusting the lever to maximum height, which prevents the unit from harrowing during traveling.
4. In the working area, turn off the tractor, remove the key from the ignition and use the adjustment lever to adjust to the desired depth.
5. Turn on the tractor.
6. Stand behind the two-wheel tractor (in the center or slightly to one side) and carefully control the equipment using the tractor handles. Beware of any objects that could get stuck in the equipment during use.

Removing Debris Caught in Equipment

1. If rocks, pieces of metal or other debris are lodged in the equipment, **turn off the tractor, remove the key from the ignition and uncouple the tractor.**



The person who removes the debris must keep the key with him/her.

2. Remove the stuck debris with a long tool or a rod; **never use your hands.** Turning off the equipment releases the pressure on the mechanism and is often enough to clear the debris.

Long-term Storage of the Equipment



Comply with the previous safety instructions.

1. Wash the equipment and let it dry. Respect the pressure washer safety instructions, if applicable.
2. Check the mechanisms and replace any worn or damaged parts.
3. Check the bolts and nuts.
4. Protect and lubricate all metal parts.
5. Cover the equipment.
6. Keep the equipment in a clean, dry place where no one can trip over it, and where it will not block access or hinder traffic.

Equipment or Parts Elimination



Warnings and safety instructions

- Before disposing of the equipment, in order to prevent its reactivation, make the equipment unusable by removing the pinion support and dispose of it separately from the rest of the equipment.
- Send the equipment, packaging and parts to the appropriate waste management and recycling centres.
- Make sure people and animals that could be at risk cannot access the material to be disposed.