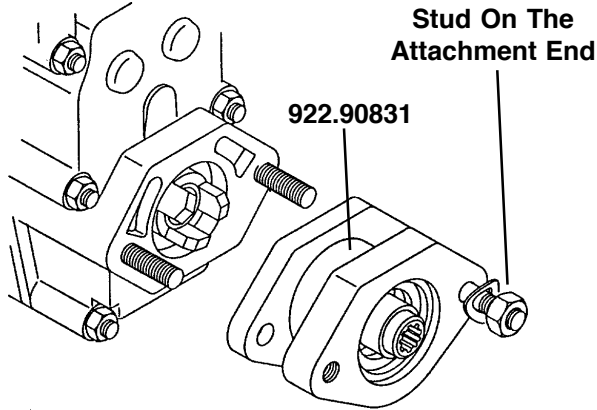
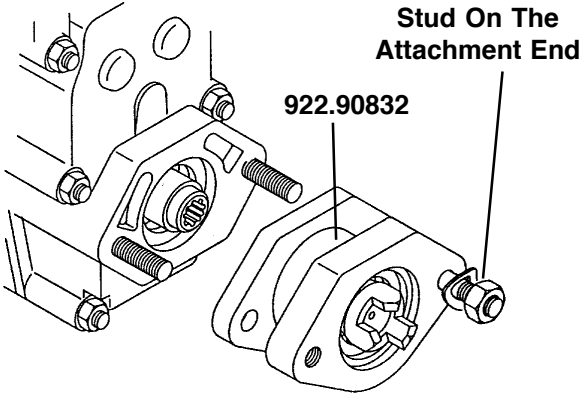
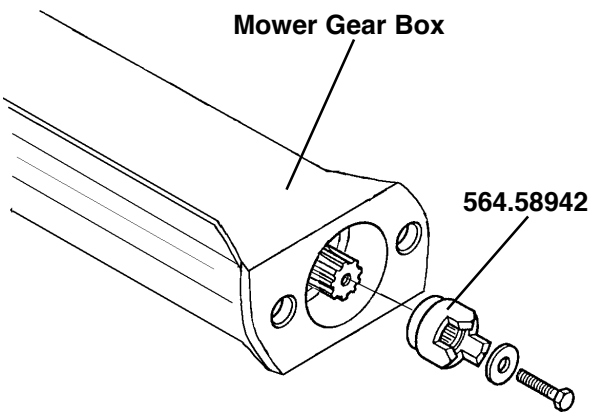
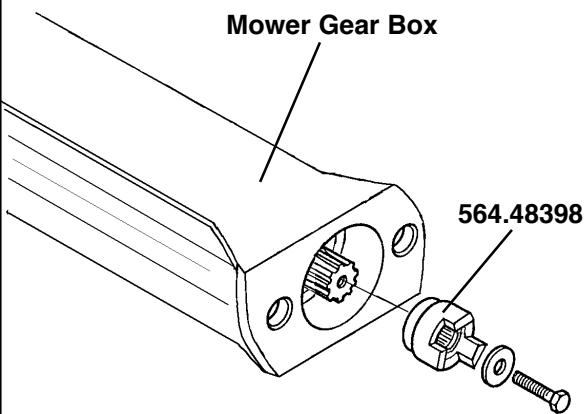


SUBJECT: NEW ATTACHMENT ADAPTER IDENTIFICATION

We have had requests from the field for an identification sheet for the different attachment adapters that BCS now offers. The following shows the two adapters that fit between the tractors and attachments and the two adapters that fit on the 30", 38" & 40" lawn mowing attachments.

 <p style="text-align: center;">Stud On The Attachment End</p> <p style="text-align: center;">922.90831</p> <p>1995 Tractors with a 1994 or earlier attachments This is for all spline shaft attachments 40" Sweeper and Chipper/Shredder attachments will continue to be spline shaft in 1995.</p>	 <p style="text-align: center;">Stud On The Attachment End</p> <p style="text-align: center;">922.90832</p> <p>1994 & earlier Tractors with all 1995 Attachments, except 30" & 38" Mowers</p>
 <p style="text-align: center;">Mower Gear Box</p> <p style="text-align: center;">564.58942</p> <p>1995 Tractors with 1994 or earlier 30", 38" & 40" Mowers</p>	 <p style="text-align: center;">Mower Gear Box</p> <p style="text-align: center;">564.48398</p> <p>1994 & earlier Tractors with 1995 30" & 38" Mowers</p>