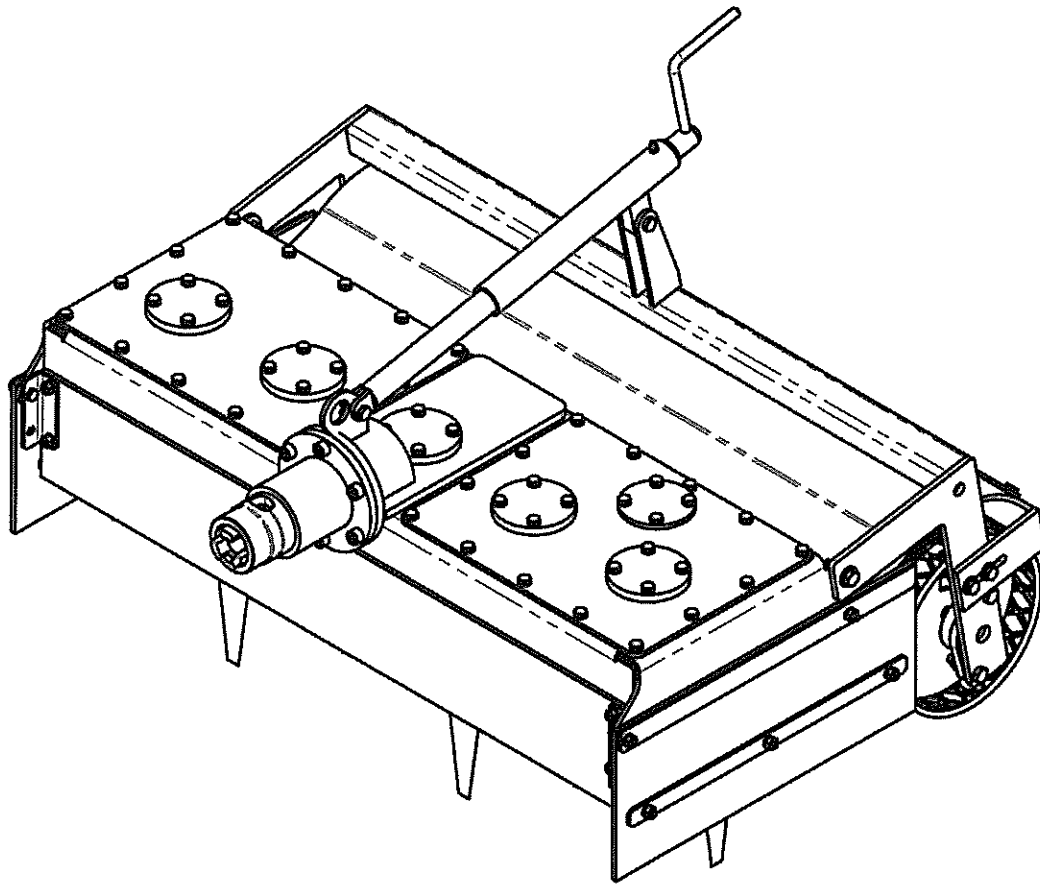


Operation and Maintenance Guide

Clovis 32 Rotary Power Harrow



Made in Canada

Warnings and Safety Instructions



Failure to comply with these safety instructions could lead to death, injury or material damage.

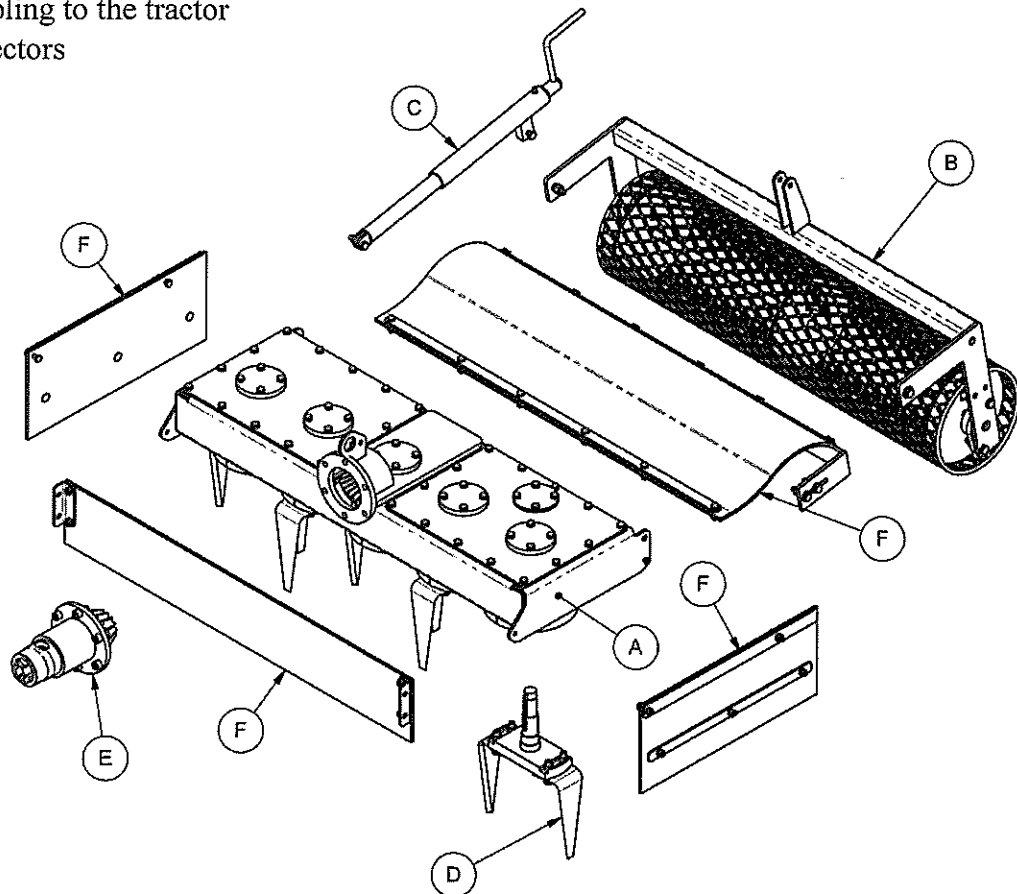
- Read this guide and your two-wheel tractor's manual before using the equipment. This guide is an integral part of the equipment and must always accompany it, even if the equipment is sold to a third party.
- Check that both safety stickers are present, visible and well glued.
- Keep a safe distance from the equipment. Stay away from all moving parts. Do not stand in front of the equipment. Do not climb on the equipment or rollers. Do not carry any people, animals or objects on the equipment.
- Keep and animals people, which could be harmed, away from the equipment, during its operation, maintenance or handling, and be aware of the risks to others.
- Be careful when operating on uneven, steep or unstable ground.
- Always monitor the equipment when in use.
- Make sure workers who use, store, or maintain the equipment have the skills to perform the task to be performed, and know how to correctly use the equipment, as well as the risks associated with its use.
- Beware of foreign objects that might become lodged in the equipment during its use. Remove them from the field before tillage.
- Use the manufacturer's spare parts to repair and maintain the equipment.
- Before making any adjustment, repair, unblocking or cleaning, turn off the two-wheel tractor, remove the key from ignition, uncouple the equipment and read the guide. Make sure the equipment stays uncoupled during these operations.
- Use the appropriate protective equipment: safety boots and glasses, and dust mask if necessary. Wear fitted clothing without loose fabric that might get caught in the equipment.
- Make sure that all of the equipment protection mechanisms are intact before use.
- Immediately replace any worn or damaged parts.
- Before use, check tightening of bolts and nuts.
- Make sure that whoever uses, stores, or maintains this equipment complies with any and all laws, safety codes and regulations in force.
- This equipment should not be used on roads.

Equipment

The Clovis 32 Rotary Power Harrow – combined with the BCS tractor – is **exclusively** designed to prepare agricultural fields and gardens. It levels, harrows and compresses the soil in a single operation.

⚠ All other applications are considered hazardous, forbidden and are undertaken at your own risk.

- A. Equipment frame
- B. Roller unit
- C. Roller support cylinder
- D. Steerage hoes
- E. Coupling to the tractor
- F. Protectors



Technical Specifications

Harrowing width (A)	32 in (813 mm)
Compaction width (B)	31 5/8 in (803 mm)
Harrowing depth (C)	5 in (127 mm)
Maximum height from the ground in transport position (D)	½ in (12.7 mm)
Power of two-wheel tractor	8 to 13 HP (6 to 9.7 kW)
Number of steering hoes	5
Weight	204 lb (92.5 kg)
Oil/quantity	80W90, 4 litres

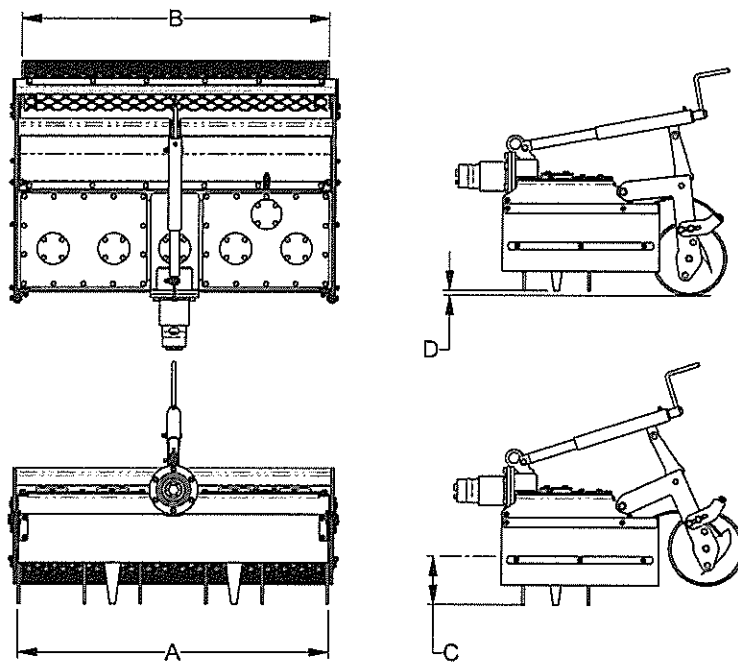


Figure 2.

Equipment Handling



Use a lifting device in good condition with the appropriate capacity to move the equipment.

- Beware of the equipment inclination when lifting.
- Wear safety shoes or boots.

The equipment has some anchor points by which it can be attached, as the one shown in Figure 3.

Figure 3.

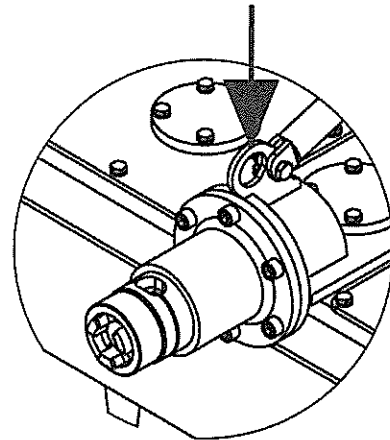


Figure 3.

Equipment Operation




Comply with the previous safety instructions.

1. Adjust the soil working depth from 0 to 12.7 cm (5 in) using the roller support cylinder. It is important that the equipment rests on its rollers during operation. Adjust the setting according to the field and the depth of potential debris.
2. Stand behind (in the centre or slightly to one side) the two-wheel tractor.
3. Move the equipment with the tractor, adjusting the cylinder to maximum height, which prevents the unit from harrowing during traveling.
4. In the working area, turn off the tractor, remove the key from the ignition and use the roller support cylinder to adjust to the desired depth.
5. Turn on the tractor.
6. Stand behind the two-wheel tractor (in the centre or slightly to one side) and carefully control the equipment using the tractor handles. Beware of any objects that could get stuck in the equipment during use.

Removing Debris Caught in Equipment

1. If rocks, pieces of metal or other debris are lodged in the equipment, **turn off the tractor, remove the key from the ignition and uncouple the tractor.**

 The person who removes the debris must keep the key with him/her.


2. Remove the stuck debris with a long tool or a rod; **never use your hands.**
Turning off the equipment releases the pressure on the mechanism and is often enough to clear the debris.

Long-term Storage of the Equipment

 Comply with the previous safety instructions.

1. Wash the equipment and let it dry. Respect the pressure washer safety instructions, if applicable.
2. Check the mechanisms and replace any worn or damaged parts.
3. Check the bolts and nuts.
4. Protect and lubricate all metal parts.
5. Cover the equipment.
6. Keep the equipment in a clean, dry place where no one can trip over it, and where it will not block access or hinder traffic.

Equipment or Parts Elimination

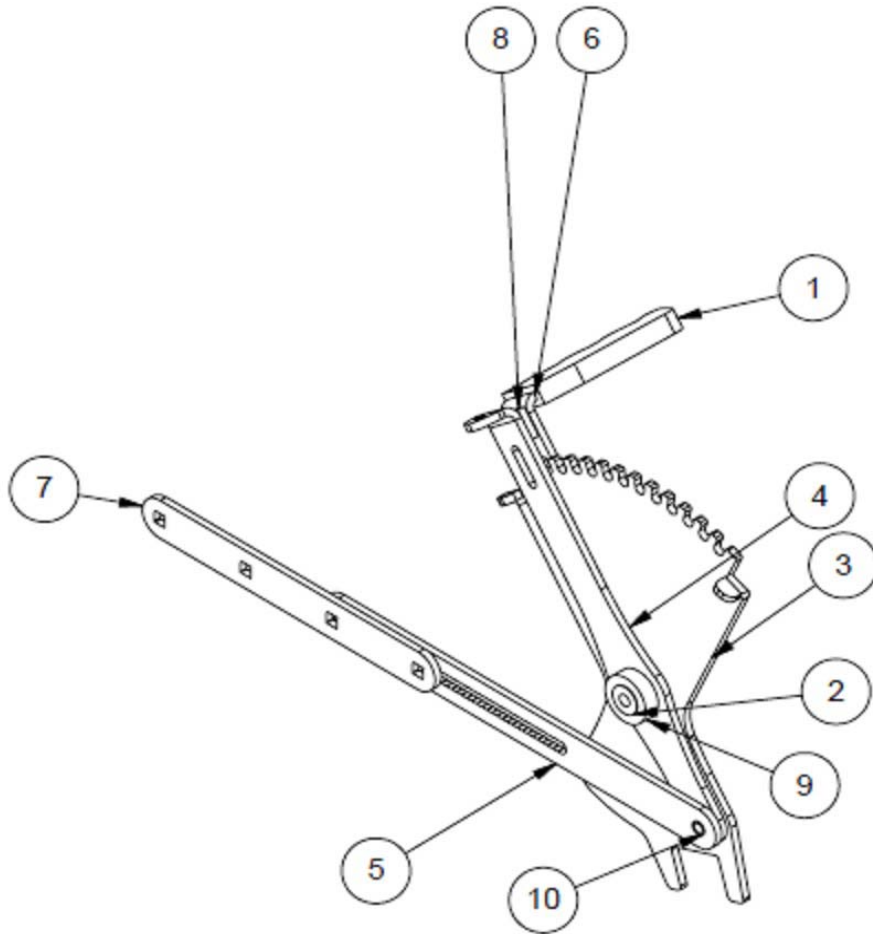
 Warnings and safety instructions

- Before disposing of the equipment, in order to prevent its reactivation, make the equipment unusable by removing the pinion support and dispose of it separately from the rest of the equipment.
- Send the equipment, packaging and parts to the appropriate waste management and recycling centres.
- Make sure people and animals that could be at risk cannot access the material to be disposed.

JOSEPHINE LEVER INSTALLATION INSTRUCTIONS

CLOVIS 32 – POWER HARROW

UPDATED 2016





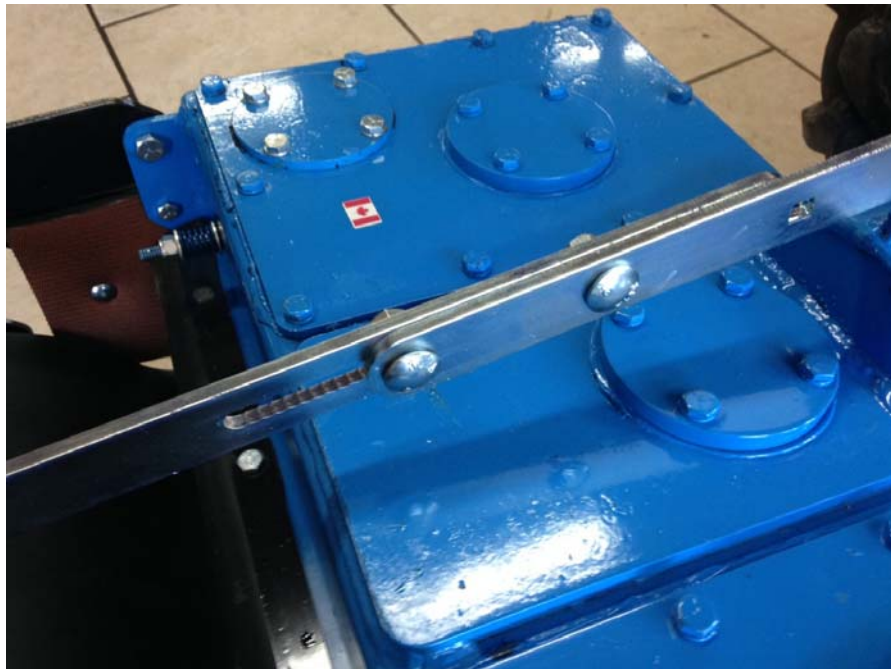
Install the 5/16 bolt on the lever part and firmly tight It.



Cut the tie-wrap to release the control handle.



Install the 5/16 1" bolt at the arm of the lever to the Thivierge Power harrow Top PTO.



The two carriage Bolt on the middle of the arm require a final ajustement to be able to completely lift the implement.

